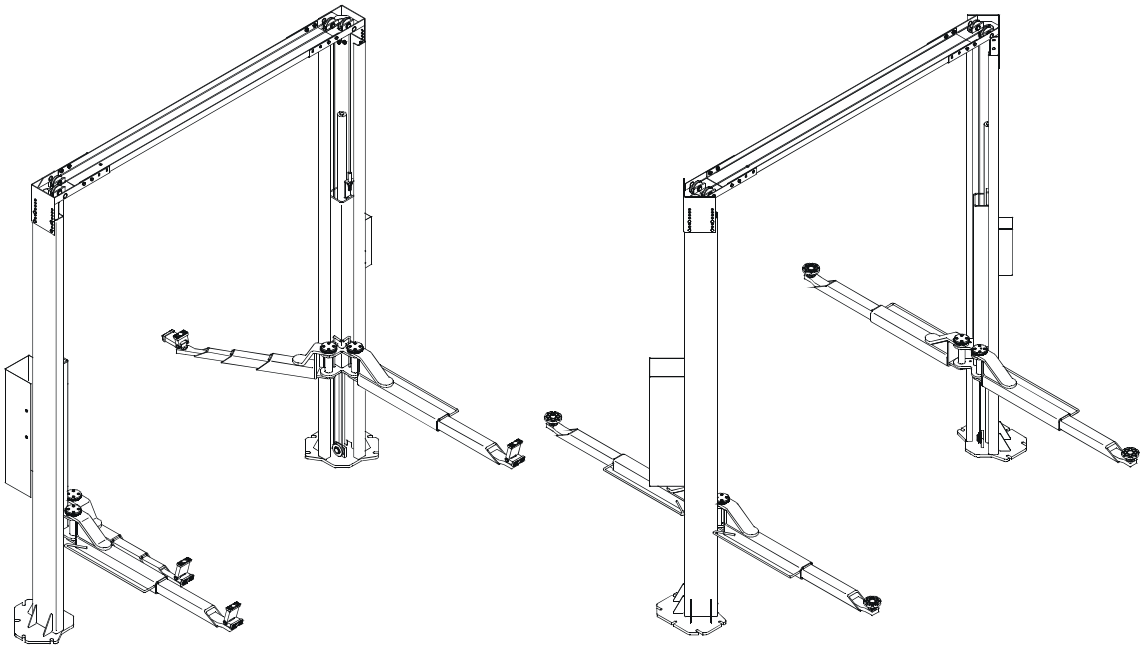
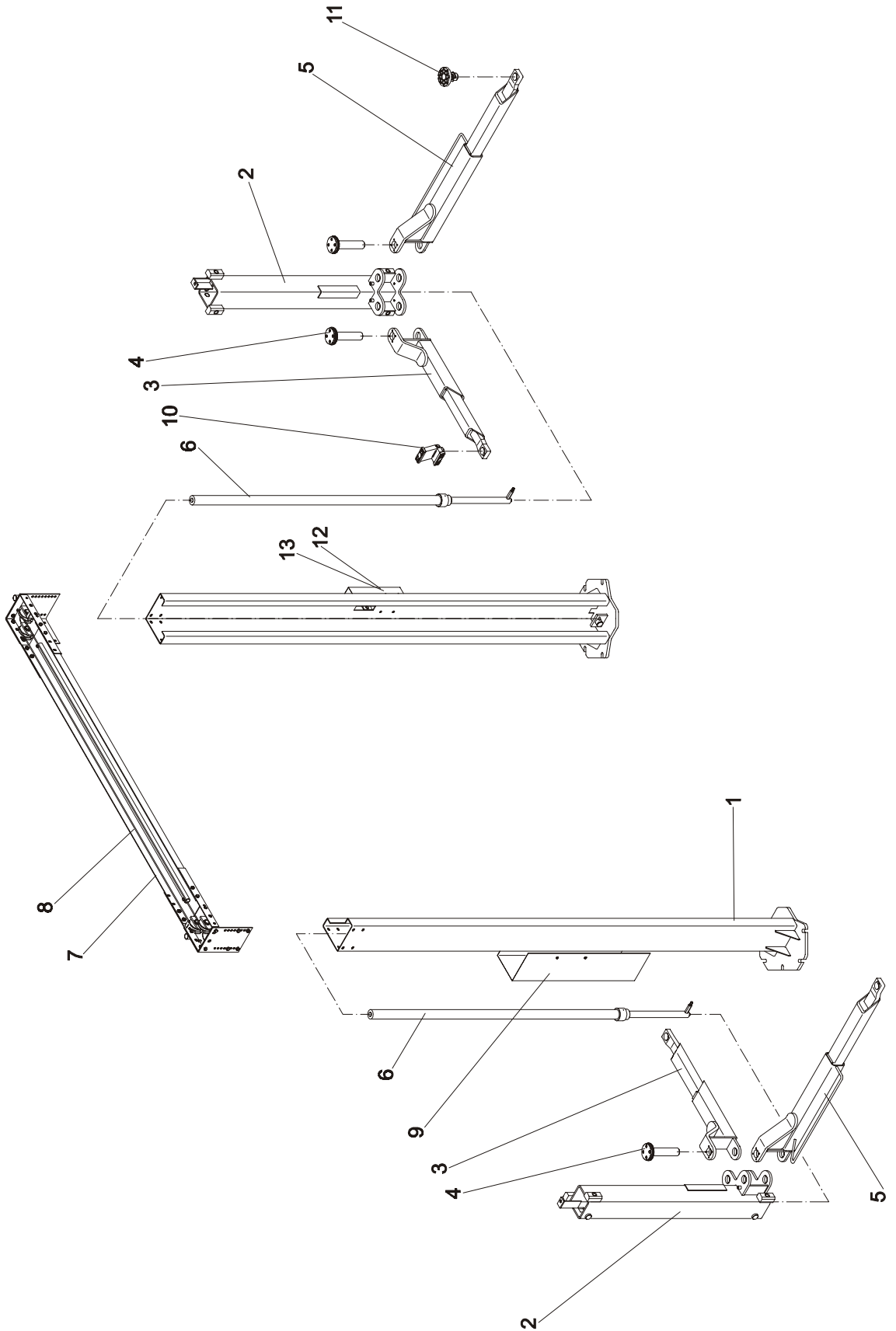


Two Post Surface Mounted Swing Arm Frame Engaging Lift HL 9000



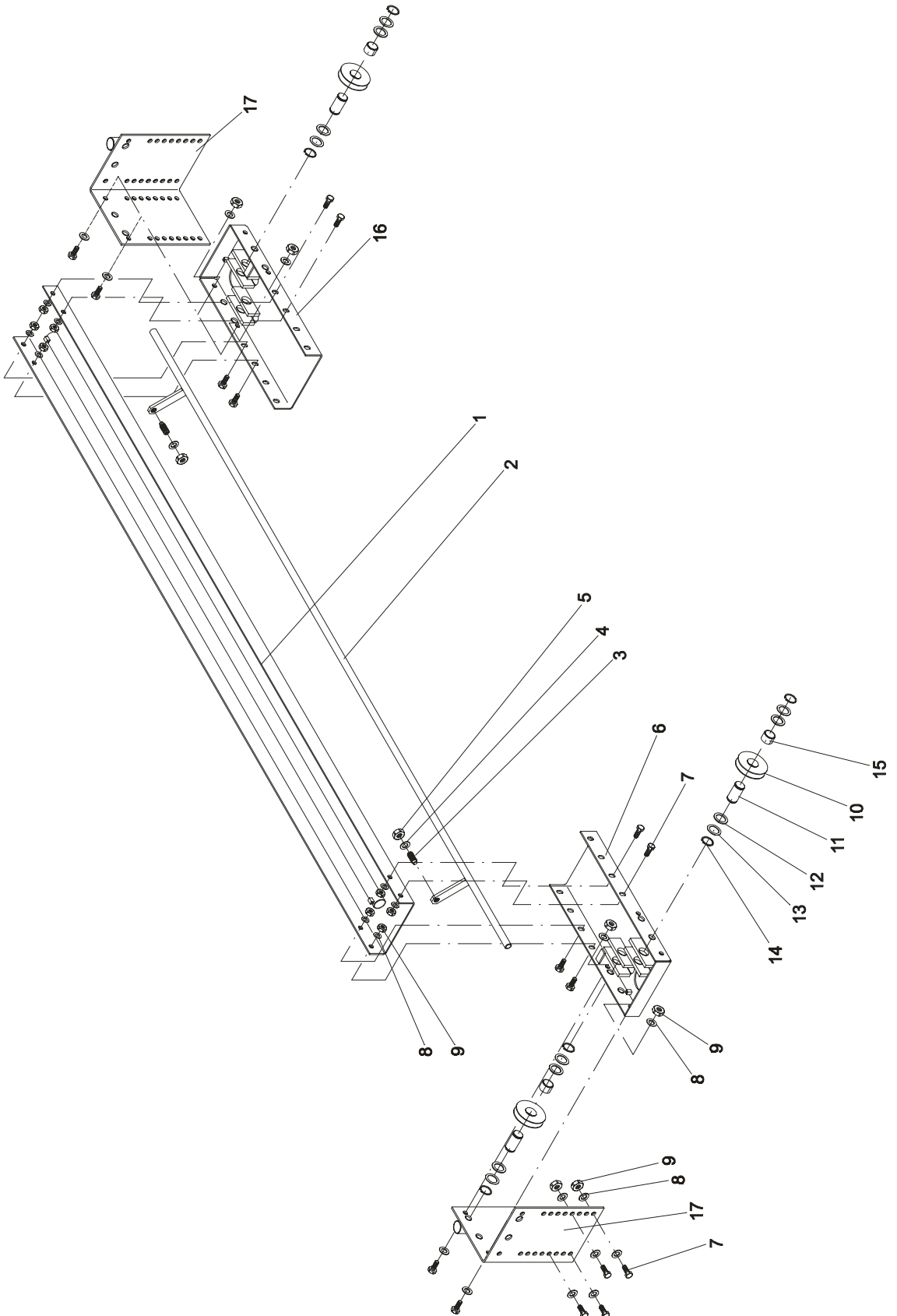
Parts Breakdown

1.1 General View



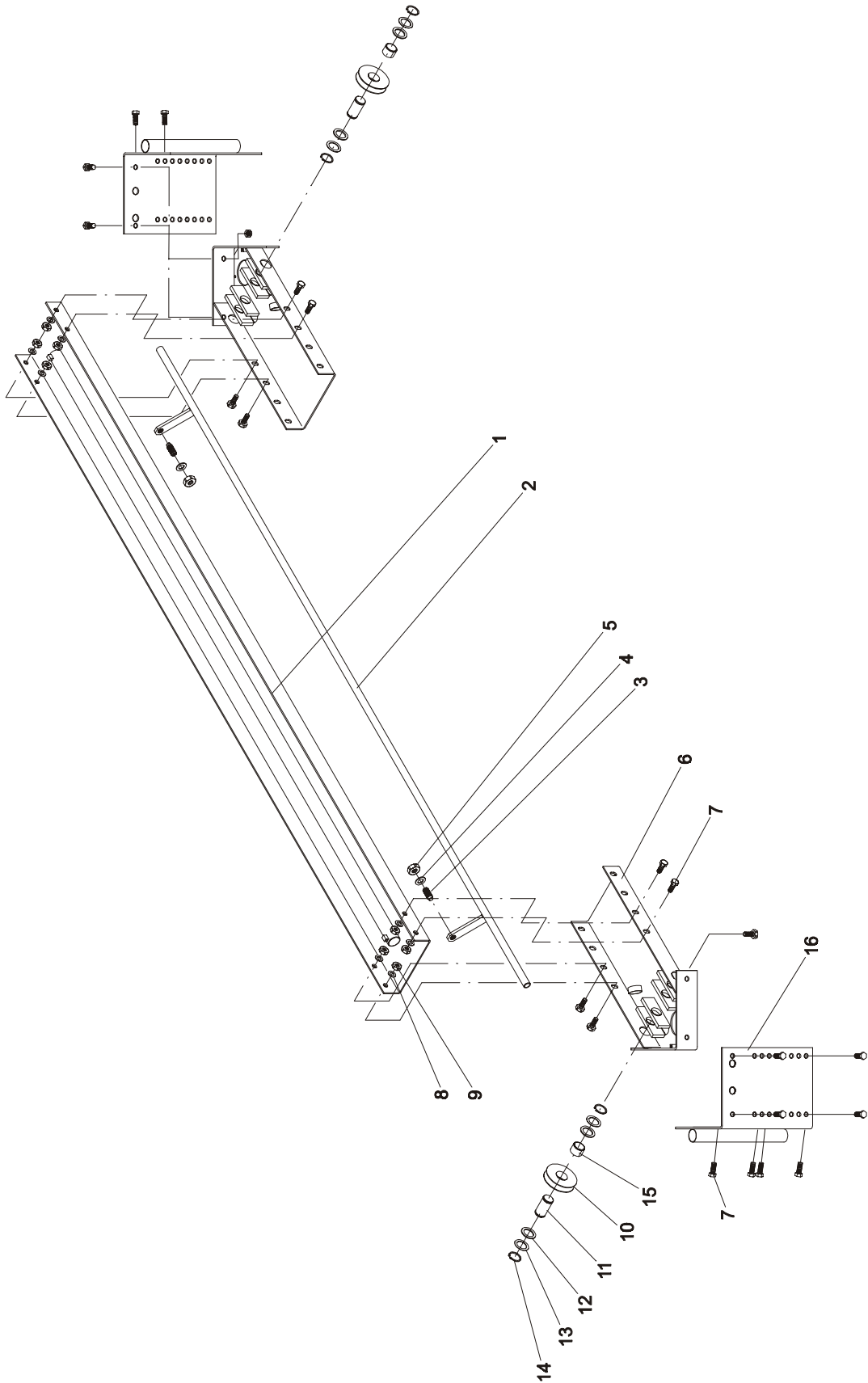
Item	Part	Description
1		Column
2		Carriage
3	03 53 60400	Swing Arm, Short
	03 53 60000	Swing Arm, Telescopic
4		Arm Restraint
5	03 53 60200	Swing Arm, Long, Left Side
	03 53 60300	Swing Arm, Long, Right Side
6	03 53 30000	Main Cylinder 1700 mm
	03 53 30010	Main Cylinder 1900 mm
7	03 53 40000	Overhead, Symmetrical
	03 53 40100	Overhead, Asymmetrical
8		Equalizing Cable
9	03 53 50000	Hydraulic Unit
10	03 53 81500	Flip-up Adapter
11	03 53 81000	Disk Adapter
12	03 53 10010	Latch
	03 53 10000	Latch Cover
13	03 53 10020	Latch Cable Guide

1.2 Overhead Assembly, Asymmetrical



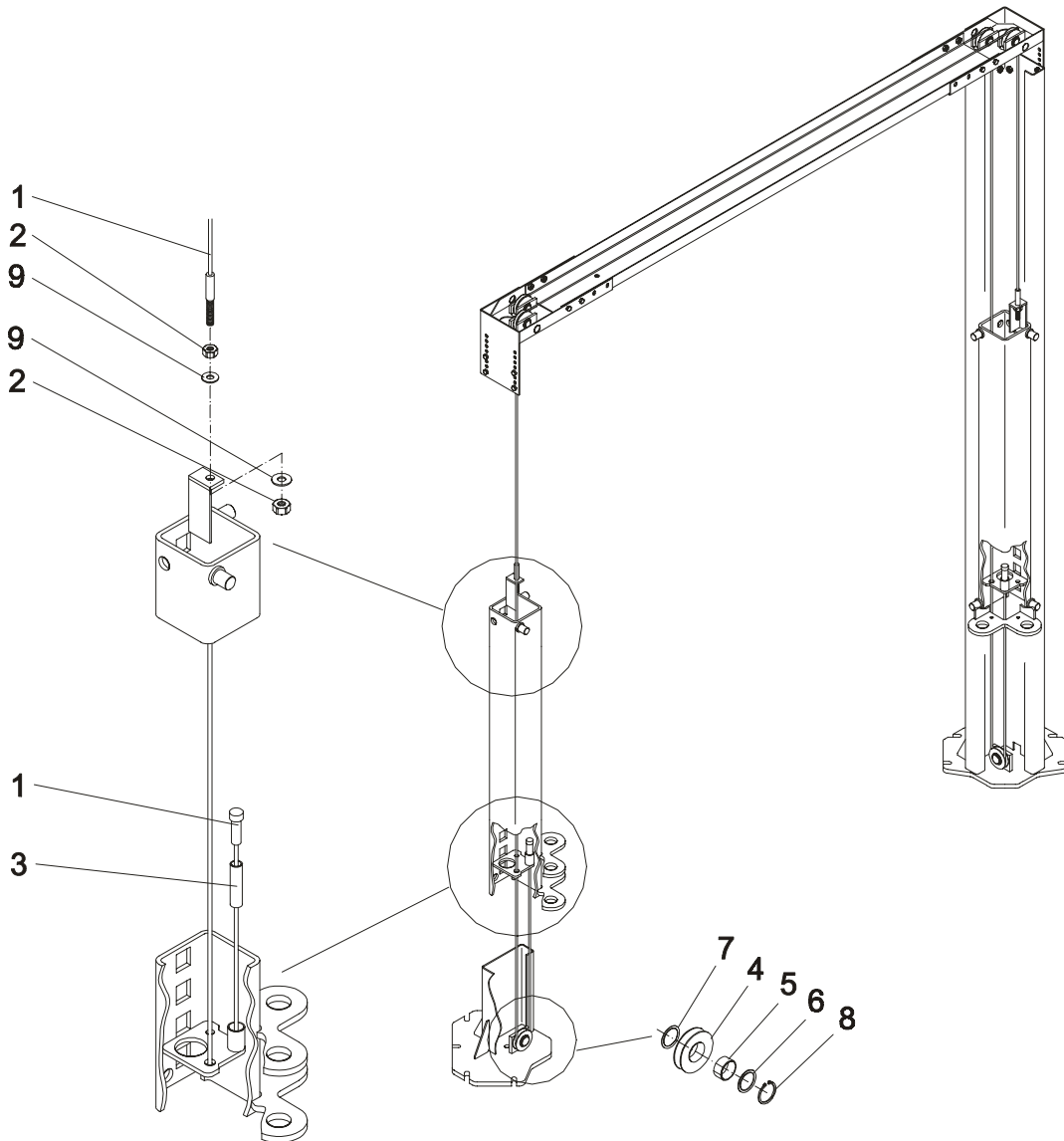
Item	Part	Description
1	03 53 40020	Overhead
2	03 53 40030	Switch Bar
3	22 0913 16040 6	Switch Bar Fastener
4	22 0125 16 1	Washer A17
5	22 0934 16 1	Hex Nut M16
6	03 53 40110	Carrier, Asymmetrical, Left Side
7	22 0933 12030 1	Hex Head Cap Bolt M12x30
8	22 0125 12 1	Washer A13
9	22 0934 12 1	Hex Nut M12
10	02 53 40005	Sheave
11	02 53 40000	Shaft
12	22 0988 304225	Shim Ring 30x42x2.5
13	22 0988 304215	Shim Ring 30x42x1.5
14	22 0471 030	Circlip A30x1.5
15	24 1730 1	Plain Bearing GLY.PG 303420 A
16	03 53 40120	Carrier, Asymmetrical, Right Side
17	03 53 40010	Extension 380
	03 53 40040	Extension 780
	03 53 40050	Extension 910
	03 53 40060	Extension 1310

1.3 Overhead Assembly, Symmetrical



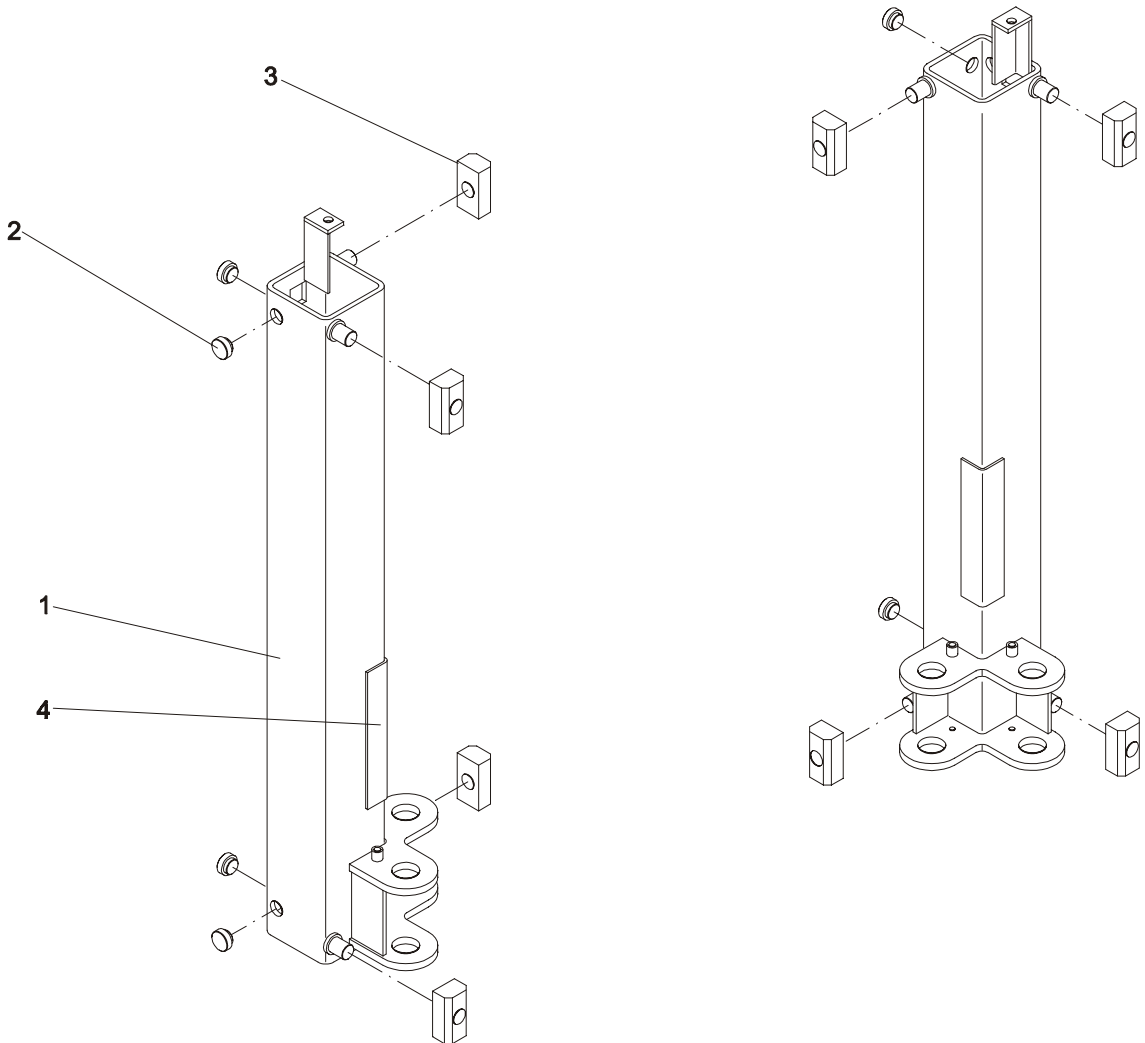
Item	Part	Description
1	03 53 40020	Overhead
2	03 53 40030	Switch Bar
3	22 0913 16040 6	Switch Bar Fastener
4	22 0125 16 1	Washer A17
5	22 0934 16 1	Hex Nut M16
6	03 53 40070	Carrier, Symmetrical
7	22 0933 12030 1	Hex Head Cap Bolt M12x30
8	22 0125 12 1	Washer A13
9	22 0934 12 1	Hex Nut M12
10	02 53 40005	Sheave
11	02 53 40000	Shaft
12	22 0988 304225	Shim Ring 30x42x2.5
13	22 0988 304215	Shim Ring 30x42x1.5
14	22 0471 030	Circlip A30x1.5
15	24 1730 1	Plain Bearing GLY.PG 303420 A
16	03 53 40010	Extension 380
	03 53 40040	Extension 780
	03 53 40050	Extension 910
	03 53 40060	Extension 1310

1.4 Equalizing Cable



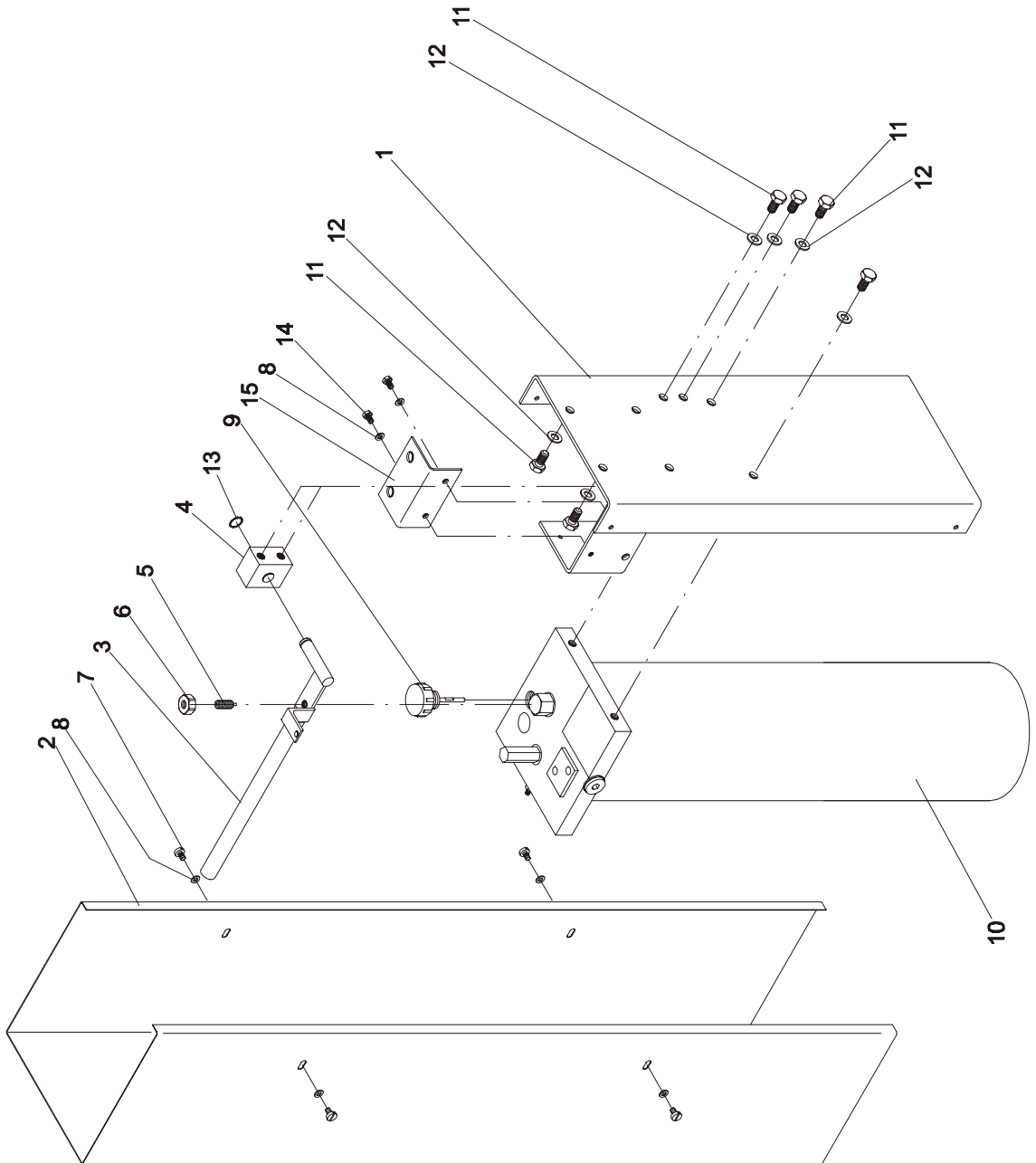
Item	Part	Description
1	19 1170 01	Round Strand Cable (9255 mm)
	19 1170 02	Round Strand Cable (10055 mm)
	19 1170 03	Round Strand Cable (10315 mm)
	19 1170 04	Round Strand Cable (11115 mm)
2	22 0934 16 1	Hex Nut M16
3	02 53 80000	Pipe Spacer
4	02 53 00005	Sheave
5	24 1740	Plain Bearing GLY.PG 404420 A
6	22 0988 405020	Shim Ring 40x50x2.0
7	22 0988 405010	Shim Ring 40x50x1.0
8	22 0471 030	Circlip A30x1.5
9	22 0125 16 1	Washer A17

1.5 Carriage



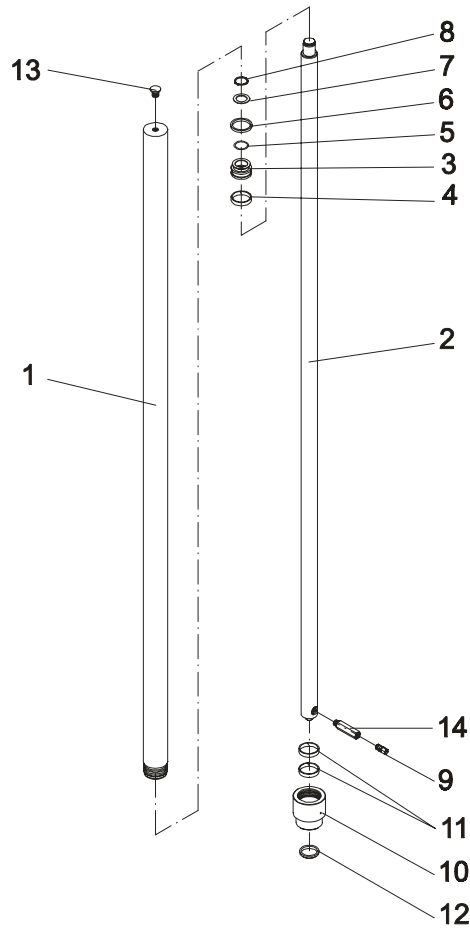
Item	Part	Description
1	03 53 20000	Carriage
2	02 47 1432	Slider Block
3	02 08 17115	Slider Block
4	21 8009	Felt Strip

1.6 Power Unit



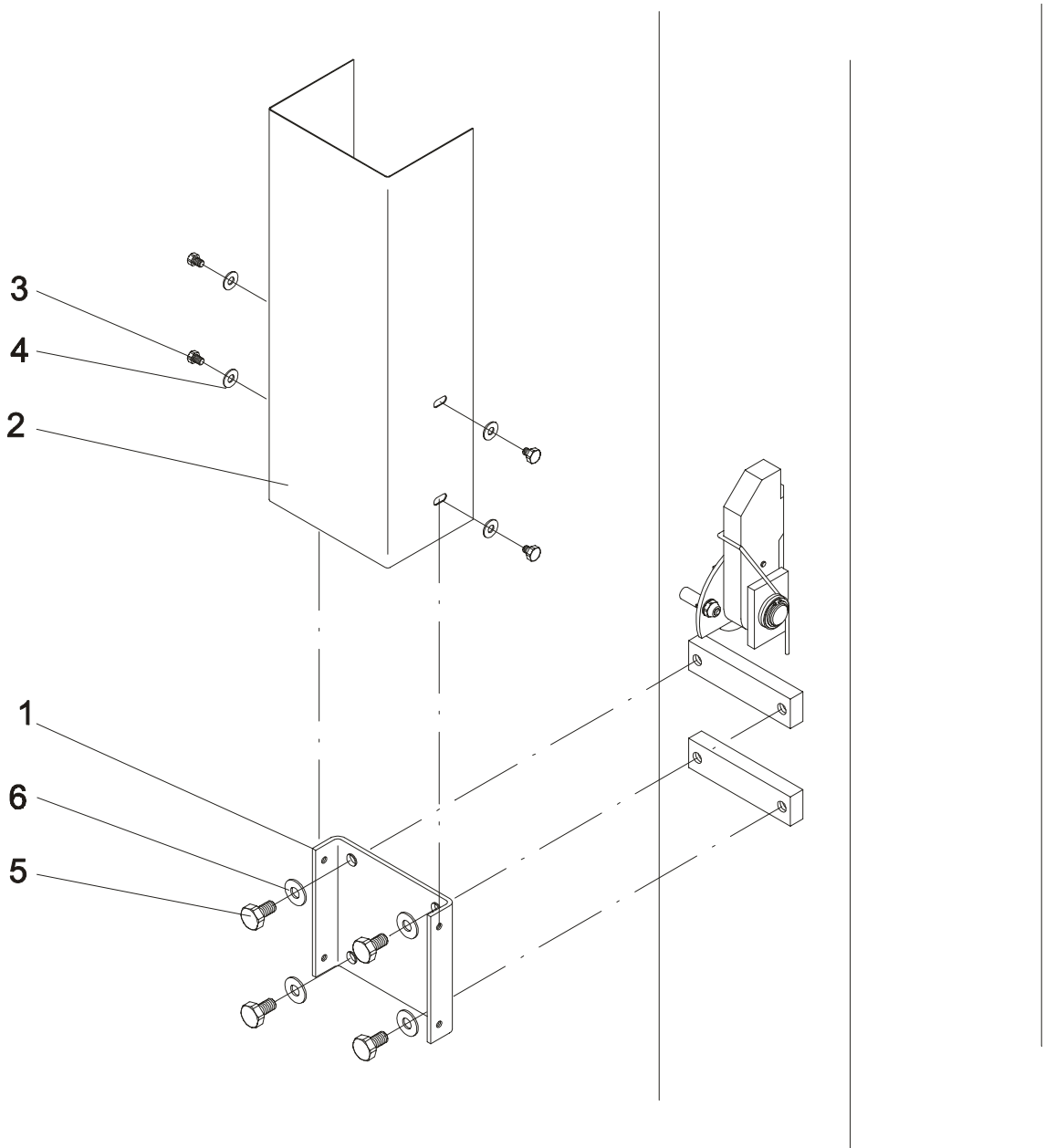
Item	Part	Description
1	03 53 50010	Mounting Plate
2	02 53 50000	Cover
3	03 53 50020	Handle
4	02 32 50170	Bearing Block
5	02 53 50030	Valve Bolt
6	22 0934 10 1	Hex Nut M10
7	22 0084 06010 1	Pan Head Screw M6x10
8	22 0125 06 1	Washer A6.4
9	02 53 50010	Dip Rod
10	26 5070	Power Unit Single Phase
11	22 0933 10020 1	Hex Head Cap Screw M10x20
12	22 0125 10 1	Washer A10.5
13	22 0471 015	Circlip A15x1
14	22 0933 06010 1	Hex Head Cap Screw M6x10
15		Mounting Plate for Starter Capacitor
	27 0621 170	HP Hose 2SN NW6 M14x1.5 L1700
	27 0821 1014	HP Hose 2SN NW8 M16x1.5 L10140
	27 0821 1080	HP Hose 2SN NW8 M16x1.5 L10800
	27 0821 1120	HP Hose 2SN NW8 M16x1.5 L11200
	27 0821 934	HP Hose 2SN NW8 M16x1.5 L9340

1.7 Cylinder



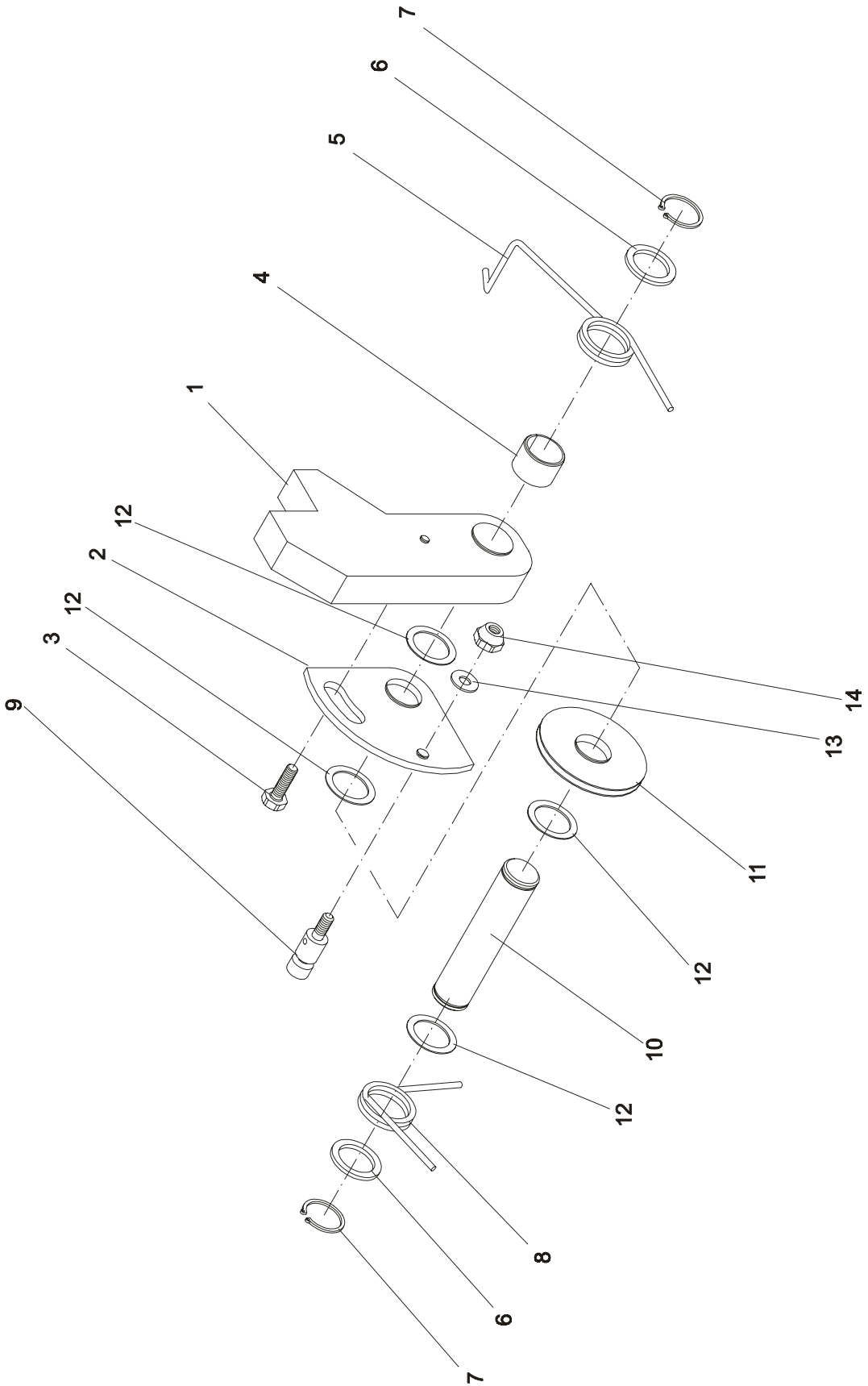
Item	Part	Description
1	03 53 30015	Cylinder, 6' 2-3/4" (1900 mm) Stroke
	03 53 30005	Cylinder, 5' 7" (1700 mm) Stroke
2	03 53 30055	Plunger Rod, 6' 2-3/4" (1900 mm) Stroke
	03 53 30050	Plunger Rod, 5' 7" (1700 mm) Stroke
3	02 53 30090	Plunger
4	27 2914	Guide Band 9.7x2.5x140
5	27 2030 030 90	O-Ring Seal 30x3 90 Shore
6	27 4040 2	Rod Packing B3 40x50x7.3
7	22 0988 284020	Shim Ring 28x40x2.0
8	22 0471 028	Circlip A28x2.5
9	27 6461	Screw Fitting GE 8 LR 1/4"
10	02 53 30095	Cylinder Head
11	27 2913	Guide Band 9.7x2.5x130
12	27 3040	Scraper Ring A1 40x48x7
13	27 4751	Screw Plug G 1/4"
14	26 2805	Pipe Break Valve LB1 F-6.3
	03 53 30010	Cylinder Assembly, 6' 2-3/4" (1900 mm) Stroke
	03 53 30000	Cylinder Assembly, 5' 7" (1700 mm) Stroke

1.8 Latch Cover



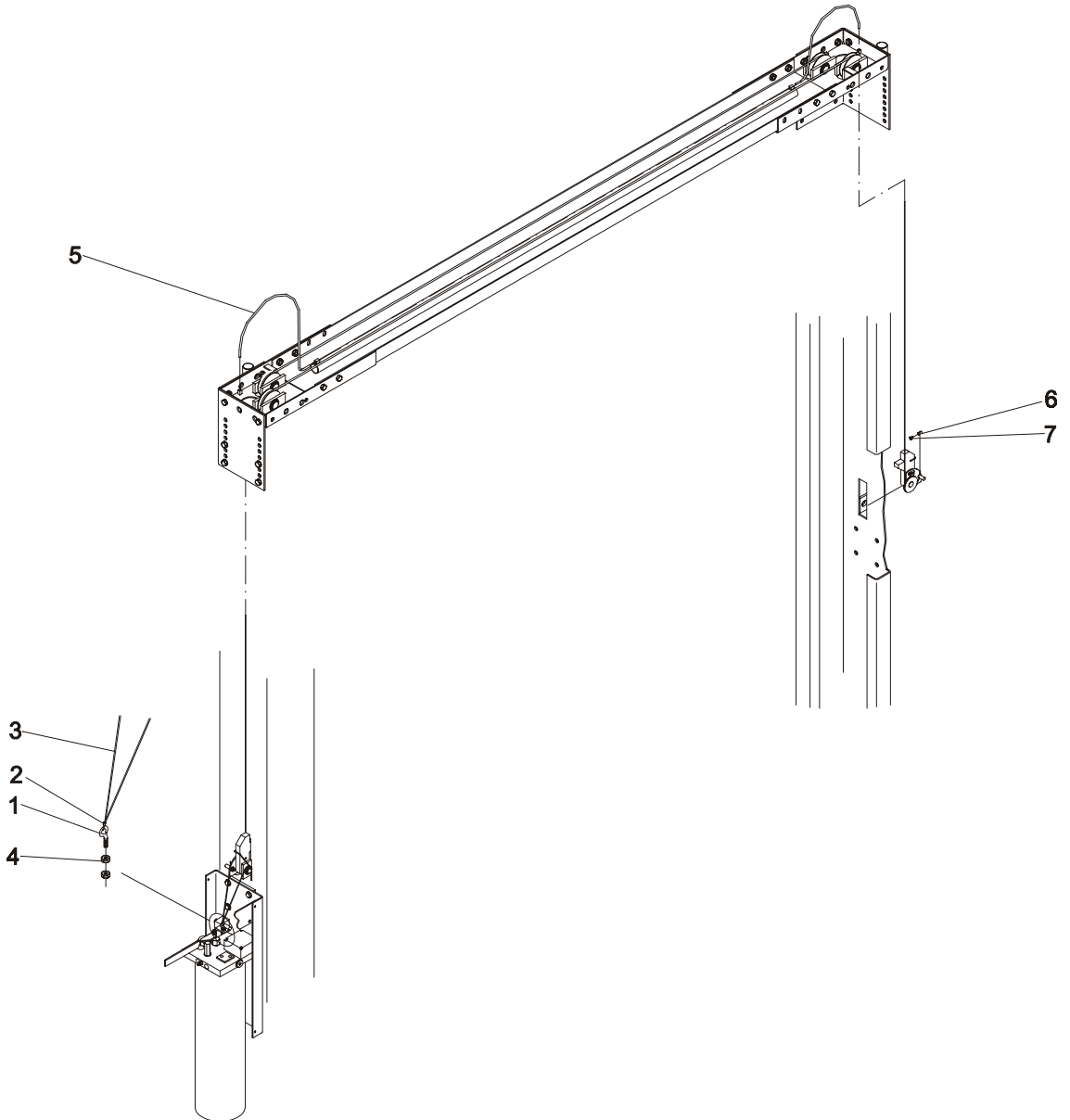
Item	Part	Description
1	02 53 10000	Mounting Plate
2	02 53 10005	Cover
3	22 0933 06008 1	Hex Head Cap Screw M10x20
4	22 0125 06 1	Washer A6.4
5	22 0933 10020 1	Hex Head Cap Screw M10x20
6	22 0125 10 1	Washer A10.5

1.9 Latch Assembly



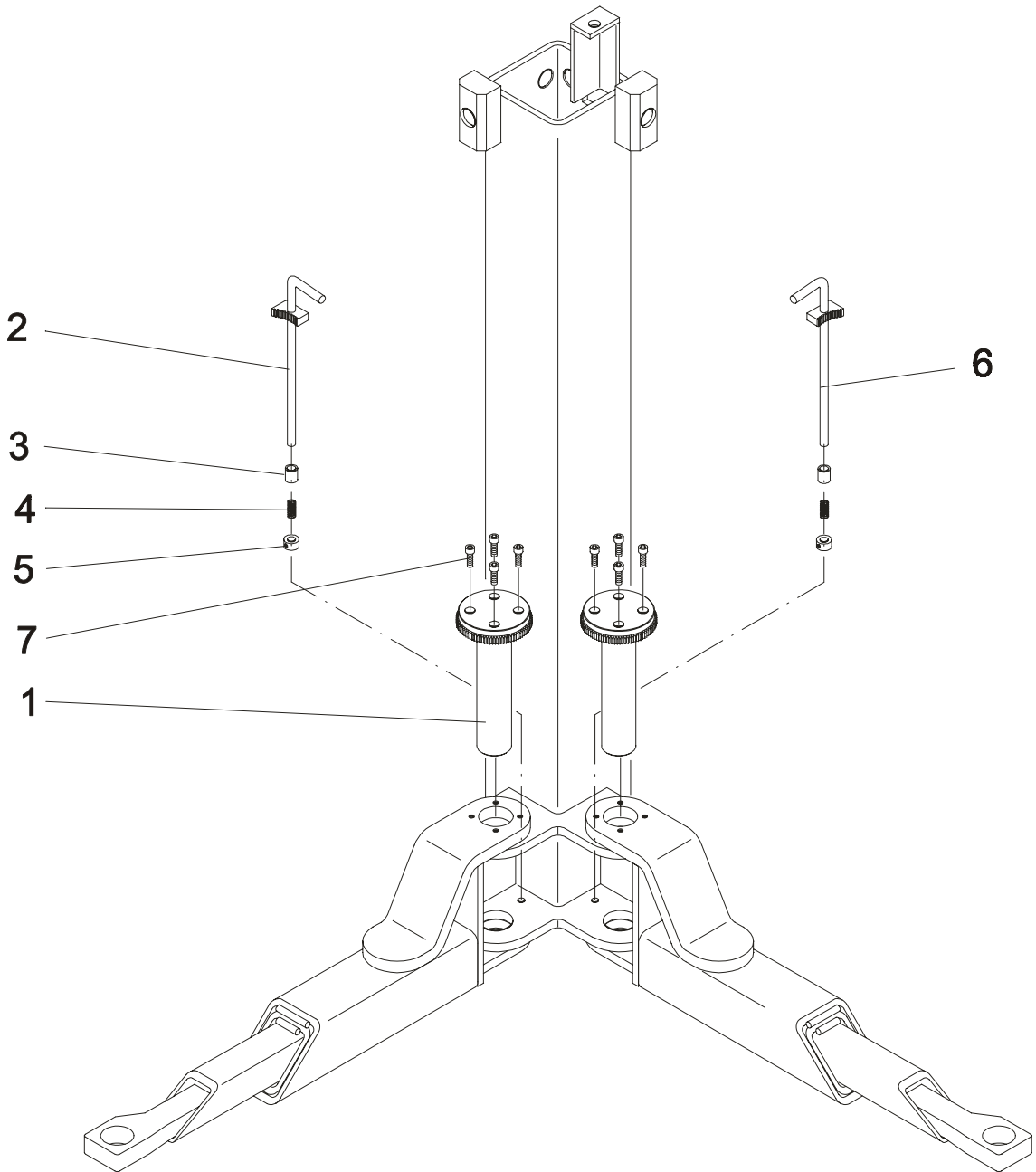
Item	Part	Description
1	15 4056	Locking Latch
2	02 53 10015	Control Plate
3	22 0933 06015 1	Hex Head Cap Screw M6x15
4	24 1725	Plain Bearing GLY.PG 252820 F
5	23 9381 01	Spring
6	22 0988 253520	Shim Ring 25x35x2.0
7	22 0471 025	Circlip A25x1.2
8	23 9381 02	Spring
9	02 53 10020	Clamping Bolt
10	02 53 10030	Shaft
11	20 53 10025	Sheave
12	22 0988 253510	Shim Ring 25x35x1.0
13	22 0125 06 1	Washer A6.4
14	22 0985 06 1	Hex Nut, Self-locking M6

1.10 Latch Cable



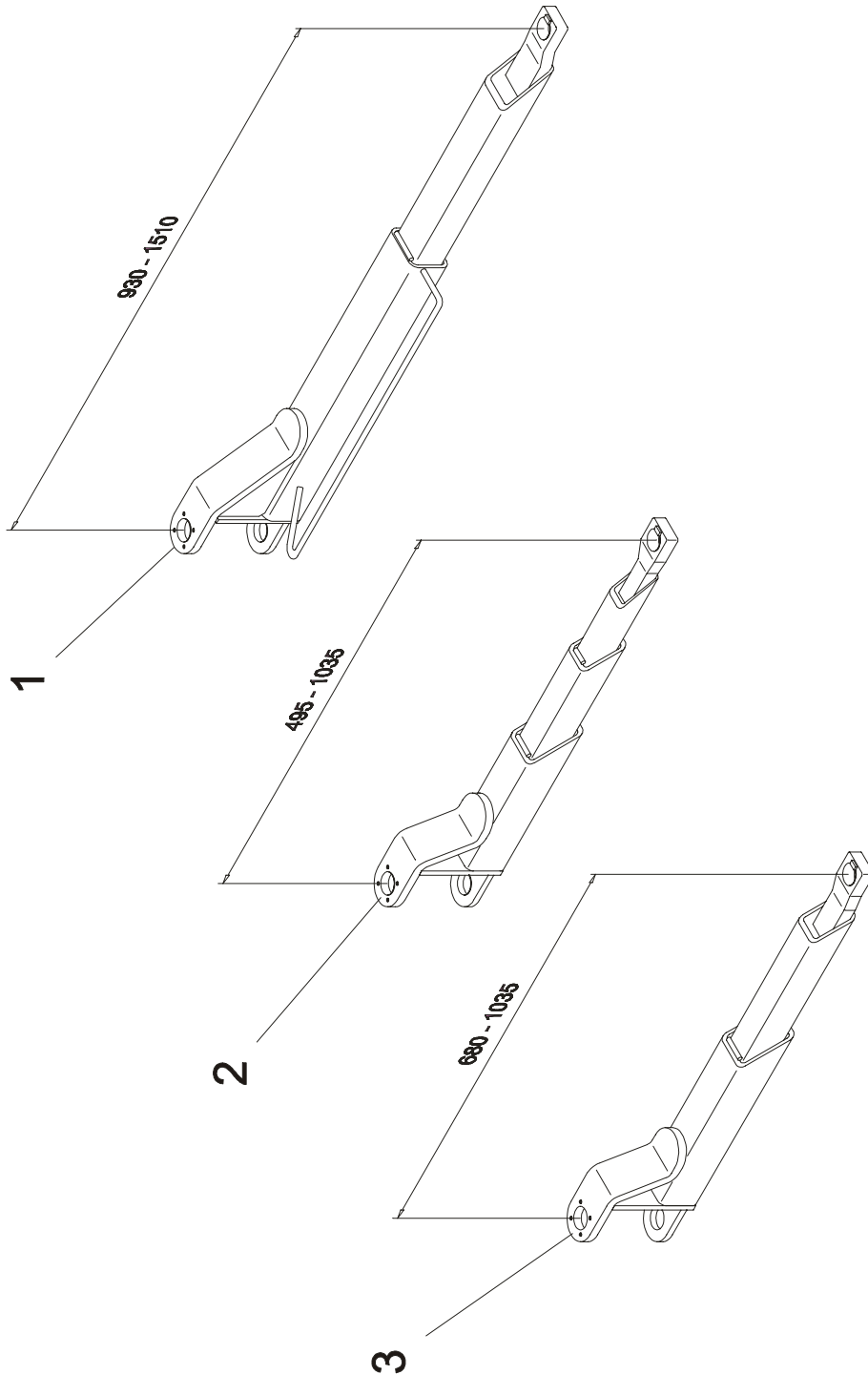
Item	Part	Description
1	23 1606 40 1	Ring Bolt M6x40
2	19 1079 3	Cable Clamp
3	19 1082	Cable Ø2, 10 m long
4	22 0934 06 1	Hex Nut M6
5	19 1300	Cable Sheathing, 650 mm long
6	19 1084	Cable Clamp 8x15-B
7	22 0084 05008 1	Socket Head Cap Screw M5x8

1.11 Arm Restraint



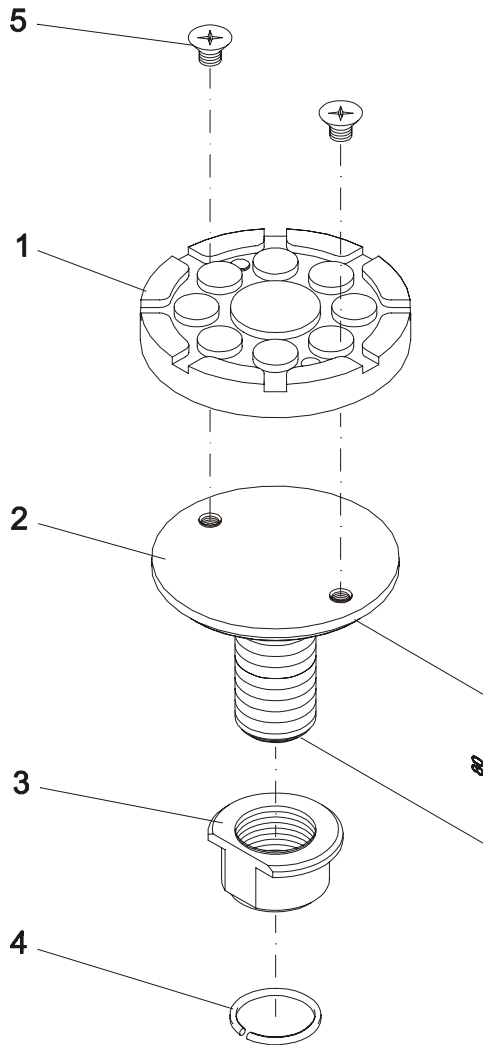
Item	Part	Description
1	03 53 61000	Restraint Gear Pivot
2	03 53 61020	Gear Block Pin
3	02 53 61000	Sleeve
4	23 9215 013 062	Compression Spring
5	22 0705 12 1	Slide A12
6	03 53 61015	Gear Block Pin
7	22 0912 08030 1	Socket Head Cap Screw M8x30

1.12 Swing Arms



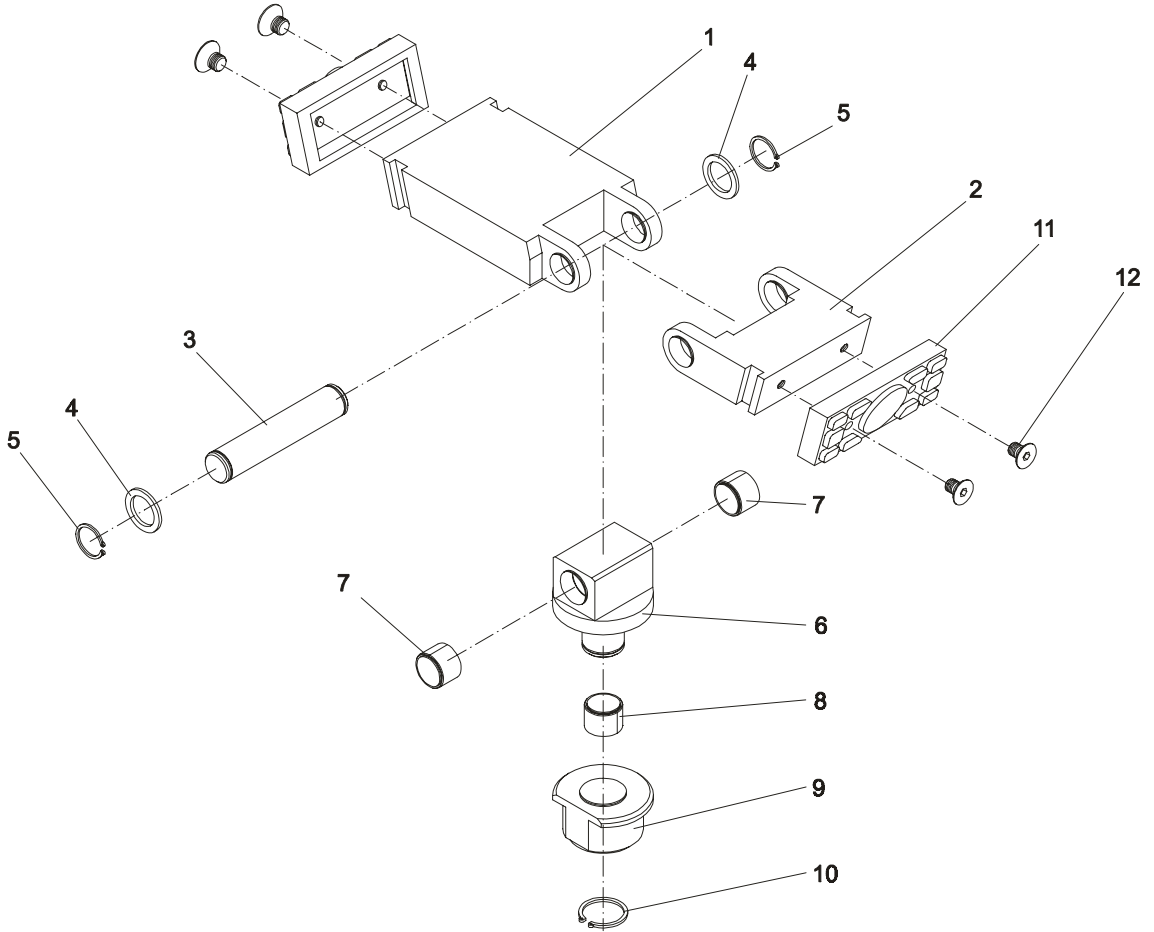
Item	Part	Description
1		Swing Arm, Long, Left Side
		Swing Arm, Long, Right Side
2		Swing Arm, Short, Telescopic
3		Swing Arm, Short

1.13 Disk Adapter



Item	Part	Description
1	17 2023	Rubber Pad
2	03 28 16705	Disk Adapter, Double 3-1/8" (80 mm)
3	02 53 81000	Sleeve
4	22 7993 032	Retaining Ring A32
5	22 7991 08012 1	Flat Head Screw M8x12

1.14 Flip-up Adapter



Item	Part	Description
1		Adapter, Long
2		Adapter, Short
3		Shaft
4	22 0988 202815	Shim Ring 20x28x1.5
5	22 0471 020	Circlip A20x1.2
6		Arbor
7	24 1720	Plain Bearing GLY.PG 202310 F
8	24 1726	Plain Bearing GLY.PG 252825 F
9		Sleeve
10	22 0471 025	Circlip A25x1.2
11		Rubber Pad
12	22 7991 08012 1	Flat Head Screw M8x12 DIN 7991

